

DISPLAY CATALOGUE





At Resource Integrated, we create a multitude of displays that bring together attention-grabbing form suitable for a wide range of needs. We also offer the exclusive VerdeFastframe™ a patented revolutionary, lightweight display and fabric signage system.

Browse through our catalogue to find the perfect display for your needs.

100 Leek Crescent, Unit 4
Richmond Hill, Ontario
Canada L4B 3E6
tel: 905.771.3773
email: inquiries@ri007.ca

CONTENTS

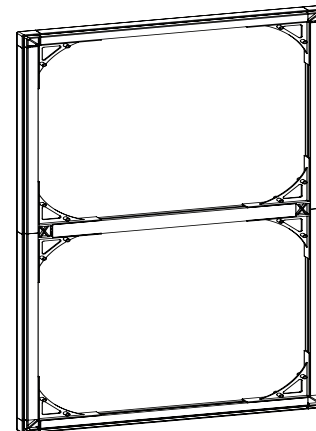
VERDE FASTFRAME – WALL-MOUNTED	4	FEATHER FLAGS	19
VERDE FASTFRAME – CEILING SUSPENDED	5	TEAR DROP FLAGS	20
VERDE FASTFRAME – FREE-STANDING	6	RECTANGLE FLAGS	21
STRETCH ARCH DISPLAYS	7	EVENT FLAGS	22
L-STAND	8	STREET LAMP POLE BANNER	23
DOUBLE SIDED ROLL UP STAND	9	FABRIC TUBE SINGULAR STANDS	24
REPLACEABLE ROLL UP STAND CASCADE	10	S-SHAPED FREESTANDING DISPLAY	25
CHROME DELUXE STAND	11	U-SHAPED DISPLAY	27
TRIDENT STAND	12	CURVED FREESTANDING DISPLAY	28
SPIDER-STAND	13	STRAIGHT GRAPHIC DISPLAY	31
TELESCOPIC STAND	14	HANGING GRAPHIC DISPLAYS	35
PAVEMENT SIGNS WITH WATER TANK	15	POP UP BANNER SYSTEM	36
SIGN HOLDER (FREESTANDING BASE)	16	FABRIC TUBE COUNTER	37
WALL-MOUNTED FRAME	17	CANOPY	38
TABLE TOP BANNERS AND FLAGS	18	PRINTED TABLECLOTH	39

VERDE FASTFRAME

[Click here to go back to Table of Contents](#)

WALL-MOUNTED

A **GREENER WAY** TO DISPLAY YOUR MESSAGE. **MADE FROM 25% RECLAIMED MATERIALS**, LIGHTWEIGHT AND MODULAR FRAME SYSTEM **SIMPLY SNAPS TOGETHER – NO TOOLS REQUIRED**. FRAMES ARE **AVAILABLE IN MULTIPLE OR CUSTOM SIZES AND COLOURS**. DISPLAY GRAPHICS CAN BE CREATED WITH SINGLE OR DOUBLE-SIDED FABRIC PANELS THAT EASILY STRETCHES OVER THE FRAME. **FRAMES ARE REUSEABLE**. GRAPHICS CAN BE REPLACED ANYTIME.



SIZE	GRAPHIC SIZE	SKU#
S	16" W X 24" H	VFF-S-007
M	24" W X 36" H	VFF-M-007
L	28" W X 42" H	VFF-L-007

CUSTOM SIZES ALSO AVAILABLE

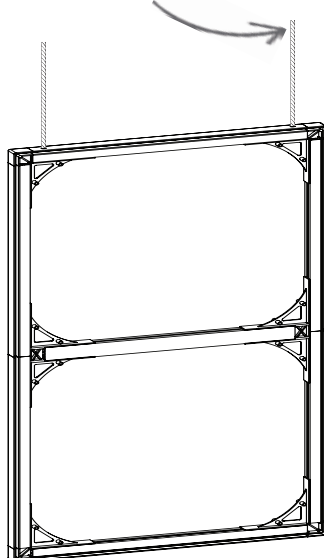
VERDE FASTFRAME

CEILING SUSPENDED

[Click here to go back to Table of Contents](#)



wire for hanging



VERDE FASTFRAME IS AVAILABLE IN ANY SIZE AND COLOUR AND CAN BE CREATED WITH SINGLE OR DOUBLE SIDED FABRIC GRAPHIC PANEL. LIGHTWEIGHT AND PORTABLE, IT'S PERFECT FOR HANGING.

SIZE	GRAPHIC SIZE	SKU#
S	16" W X 24" H	VFF-S-007
M	24" W X 36" H	VFF-M-007
L	28" W X 42" H	VFF-L-007

CUSTOM SIZES ALSO AVAILABLE

VERDE FASTFRAME

[Click here to go back to Table of Contents](#)

FREE-STANDING

THE VERDE V-STAND IS PORTABLE AND EASY TO ASSEMBLE. GRAPHICS CAN BE APPLIED FRONT-MOUNTED OR DOUBLE-SIDED. IT'S PERFECT FOR MOBILE DISPLAYS. JUST ADD A V-STAND AND IT'S READY FOR A TRADE SHOW OR EXHIBIT. USE DIFFERENT SIZES TO CREATE AN IMPACTFUL BACKDROP. LIGHTWEIGHT AND DURABLE MAKES IT IDEAL TO TRANSPORT.



V-STAND BASE



CARRYING BAG

SIZE	GRAPHIC SIZE	SKU#
R	36" W X 96" H	VFF-FS-S-007
L	48" W X 96" H	VFF-FS-M-007

CUSTOM SIZES ALSO AVAILABLE

STRETCH ARCH DISPLAYS



STRETCH ARCH DISPLAYS CAN BE CREATED WITH SINGLE OR DOUBLE SIDED FABRIC GRAPHIC PANEL. THIS LIGHTWEIGHT PORTABLE BANNER IS MADE FROM AN ALUMINIUM PIPE FRAME SURROUNDED BY A STRETCH FABRIC COVER.

SIZE	GRAPHIC SIZE	SKU#
S	23.62" W X 90.55" H	AD-S-003
M	35.43" W X 90.55" H	AD-M-003
L	47.24" W X 90.55" H	AD-L-003
XL	59.05" W X 90.55" H	AD-XL-003

L-STAND

THE THREE L-STANDS CAN BE PRINTED AS THREE SEPARATE IMAGES OR ONE CONTINUOUS MURAL FOR A CLEAN, TAILORED LOOK.

ALUMINUM TOP AND BOTTOM RAILS.

EASY TO UNFOLD, LIGHT WEIGHT, EASY TO CARRY AND STORE.

LEG WITH CHROMED METAL END FOR BALANCE.

CAN BE PRINTED ON FABRIC OR VINYL.

[Click here to go back to Table of Contents](#)



SIZE	GRAPHIC SIZE	SKU#
S	24" W X 63" H	L-ST-S-004
L	31.5" W X 79" H	L-ST-L-004

DOUBLE SIDED ROLL UP STAND

THIS POP-UP BANNER SHOWCASES YOUR PROMOTIONAL GRAPHICS ON TWO SIDES FOR MAXIMUM EXPOSURE IN AREAS WITH MULTIPLE DIRECTIONS OF TRAFFIC. BOTH GRAPHIC PRINTS RETRACT FROM A SINGLE BASE UNIT. GRAPHIC CAN BE PRINTED ON FABRIC OR VINYL.



SINGLE SIDED ROLL UP STAND



COMPACT AND LIGHT WEIGHTED, COST-EFFECTIVE OPTION.
TWO FOLD-OUT FULL ALUMINUM FEET.
CAN BE PRINTED ON FABRIC OR VINYL.

SIZE	GRAPHIC SIZE	SKU#
SINGLE	33.5" W X 79"H	RU-SS-005
DOUBLE	33.5" W X 79"H	RU-DS-005

[Click here to go back to Table of Contents](#)

REPLACEABLE ROLL UP STAND CASCADE

[Click here to go back to Table of Contents](#)



REPLACEABLE CARTRIDGE FOR QUICK GRAPHIC CHANGES.
WIDE BASE, NO SUPPORT FOOT NEEDED.
THIS DISPLAY UNIT IS IDEAL FOR PRESENTATION
THAT REQUIRE DIFFERENT GRAPHICS.
GRAPHICS CAN BE PRINTED ON FABRIC OR VINYL.

SIZE
CASCADE

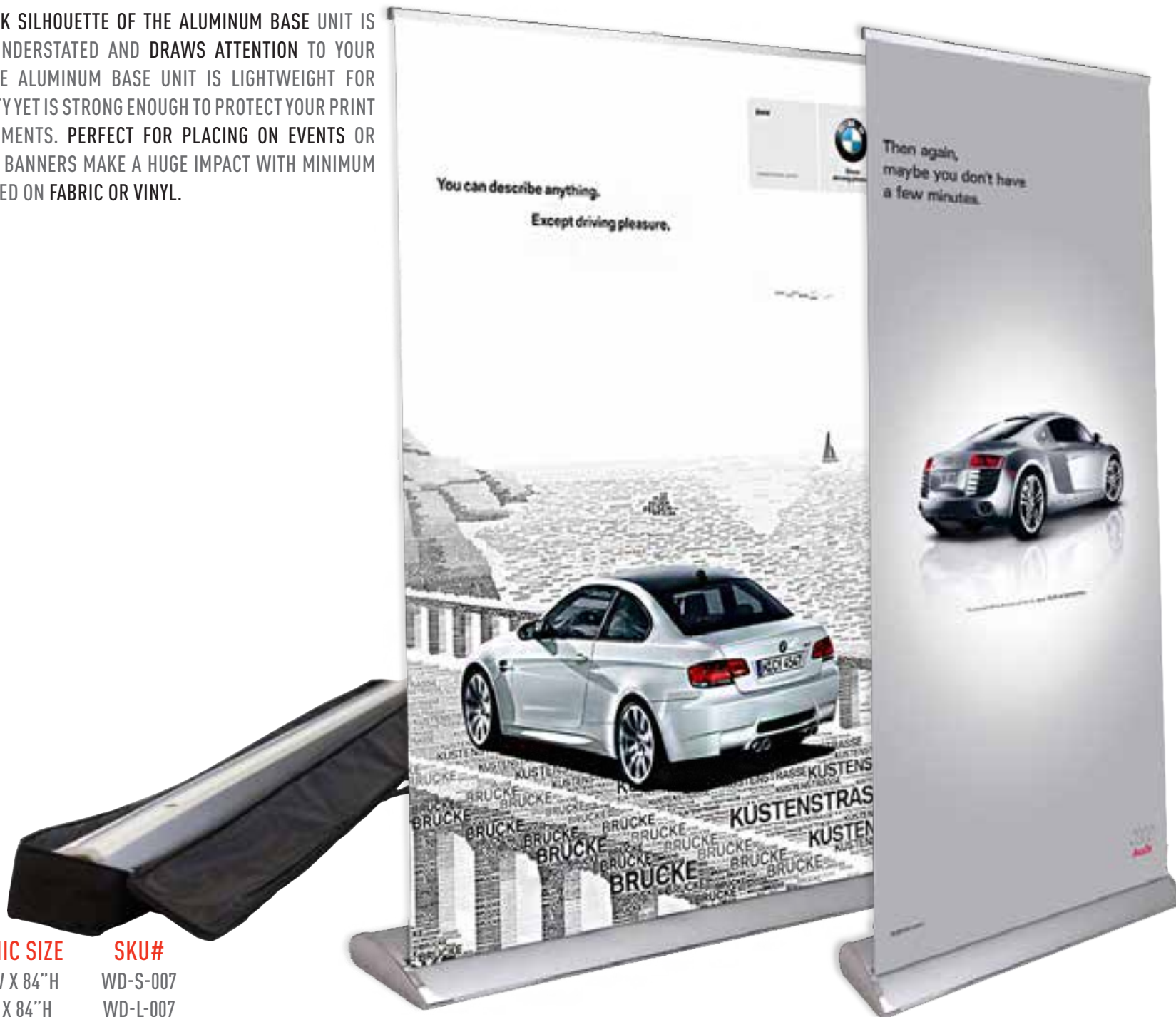
GRAPHIC SIZE
33.5" W X 79"H

SKU#
RU-R-006

CHROME DELUXE STAND

THE SLIM AND SLEEK SILHOUETTE OF THE ALUMINUM BASE UNIT IS ELEGANT THOUGH UNDERSTATED AND DRAWS ATTENTION TO YOUR GRAPHIC PRINT. THE ALUMINUM BASE UNIT IS LIGHTWEIGHT FOR OPTIMAL PORTABILITY YET IS STRONG ENOUGH TO PROTECT YOUR PRINT FROM NATURAL ELEMENTS. PERFECT FOR PLACING ON EVENTS OR EXHIBITIONS. THESE BANNERS MAKE A HUGE IMPACT WITH MINIMUM FUSS. CAN BE PRINTED ON FABRIC OR VINYL.

[Click here to go back to Table of Contents](#)



SIZE	GRAPHIC SIZE	SKU#
S	33.5" W X 84" H	WD-S-007
L	48" W X 84" H	WD-L-007

TRIDENT STAND

QUICK AND EASY TO SET-UP. JUST OPEN THE CARRYING CASE, PUT THE UNIT ON THE FLOOR AND ATTACH THE GRAPHIC. THE TRIDENT FEATURES A ONE TELESCOPIC POLE THE MAST AND PANEL HEIGHT CAN BE ADJUSTED FROM 38" TO 80". HARDWARE SUPPORTS SINGLE OR DOUBLE-SIDED GRAPHIC.

[Click here to go back to Table of Contents](#)



SIZE	GRAPHIC SIZE	SKU#
SINGLE	23.75" W X MIN. H.38" MAX. H.80"	BS-SS-008
DOUBLE	23.75" W X MIN. H.38" MAX. H.80"	BS-DS-008

SPIDER-STAND

[Click here to go back to Table of Contents](#)



LIGHTWEIGHT TENSION SYSTEM.
QUICK SET-UP.
GRAPHIC MOUNTED WITH GROMMETS.

SIZE	GRAPHIC SIZE	SKU#
S	24" W X 63"H	X-ST-S-009
L	33.5" W X 79"H	X-ST-L-009

TELESCOPIC STAND

TELESCOPIC TENSION BANNER STAND WITH ADJUSTABLE BLACK FRAME IS IDEAL FOR CREATING LARGE GRAPHIC BACKDROPS FOR EXHIBITION STANDS, RETAIL DISPLAYS, AND MEDIA BOARDS AND BRANDING ENVIRONMENTS .

[Click here to go back to Table of Contents](#)

14



SIZE	GRAPHIC SIZE	SKU#
MAX.SIZE*	120" W X 98"H	T-ST-0010

*WIDTH ADJUSTABLE FROM 57.88" TO 120"; HEIGHT ADJUSTABLE FROM 42.13" TO 98".

PAVEMENT SIGNS WITH WATER TANK

EASY SNAP OPEN AND CLOSE POSTER FRAME.
HEAVY DUTY WATERFILL BASE.
CAPABLE OF WITHSTANDING HIGH WINDS.
WHEELS ON BASE FOR EASY TRANSPORTATION.

[Click here to go back to Table of Contents](#)



SIGN HOLDER (FREESTANDING BASE)

EASY TO SET UP, EASY TO MOVE, EASY TO SWAP IN NEW SIGNS AT A MOMENT'S. ANY RIGID MEDIA FROM 24" X 36" UP TO 48" X 96". AND THICKNESS UP TO 1".

[Click here to go back to Table of Contents](#)

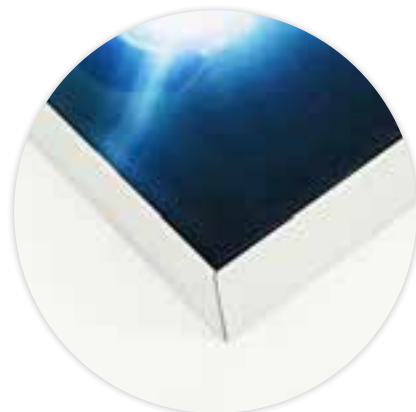
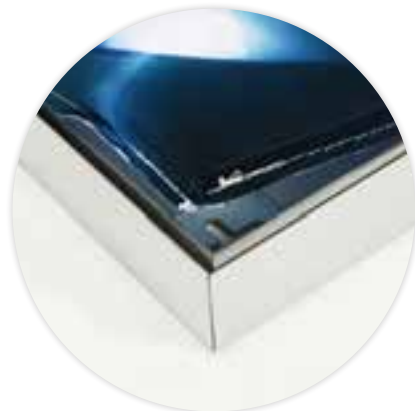


SIZE	BASE SIZE	SKU#
S	3.94" W X 6" H	SH-FB-S-0012
M	11.81" W X 6" H	SH-FB-M-0012
L	19.69" W X 6" H	SH-FB-L-0012

WALL-MOUNTED FRAME

ELEGANT AND CONTEMPORARY FRAMELESS WALL DISPLAY.
ONE OF THE BEST CHARACTERISTICS IS ITS EASE OF INSTALLATION,
SIMPLE TO CHANGE GRAPHICS, AND CLEAN PRESENTATION.

[Click here to go back to
Table of Contents](#)



SIZE	GRAPHIC SIZE	SKU#
S	33.11" W X 39.37" H	W-MF-S-0034
M	39.37" W X 39.37" H	W-MF-M-0034
L	39.37" W X 59" H	W-MF-L-0034
XL	39.37" W X 78.74" H	W-MF-XL-0034

TABLE TOP BANNERS AND FLAGS

SETTING UP THIS TABLETOP BANNER STAND IS QUICK AND HASSLE-FREE AND YIELDS IMPRESSIVE RESULTS IN A TRAVEL-SIZED PACKAGE.

[Click here to go back to Table of Contents](#)



TABLE TOP FLAG IS AN EXCELLENT ADVERTISING TOOL. THE INNOVATIVE DESIGN OF THE TABLE TOP FLAG ENSURES CONTINUOUS VISIBILITY OF YOUR LOGO OR COMPANY NAME.

SIZE	GRAPHIC SIZE	SKU#
BANNER	11" W X 17" H	TT-B-0013
FLAG	9.84" W X 18.11" H	TT-F-0013

FEATHER FLAGS

[Click here to go back to Table of Contents](#)

AVAILABLE IN THE ABOVE SHAPES...



FEATHER
CONCAVE

FEATHER
ANGLED

FEATHER
CONVEX

FEATHER
STRAIGHT



WALL BASE

12CM*12CM,
BEARING, POWDER COATING, GRAY OR BLACK.
WEIGHT 0.8 KG



CARRY BAG

SIZE: 1500MM X 240MM.
COLOUR: BLACK
SUITABLE FOR POLE KITS, FLAGS, GROUND SPIKE,
CROSS BASE AND CAR WHEEL BASE.



WEIGHTING RING

ROUND WATER BAG TO USE WITH CROSS
BASE, ADDS MORE STABILITY WHEN FILLED
WITH WATER (AN EXTRA 5 KG).
SIZE: DIA 20.48" MADE FROM PVC.



CROSS BASE

SIZE: 24.41" X 4.72" X 8.27"
ELECTROPLATE FINISH WITH CHROME FOLDABLE.
WEIGHT 3.1KG.



*FIBERGLASS POLE



3.5m pole size
Flag size: 23.62"x102.36"

S

4.5m pole size
Flag size: 31.5"x133.86"

M

5.6m pole size
Flag size: 33.46"x177.16"

L

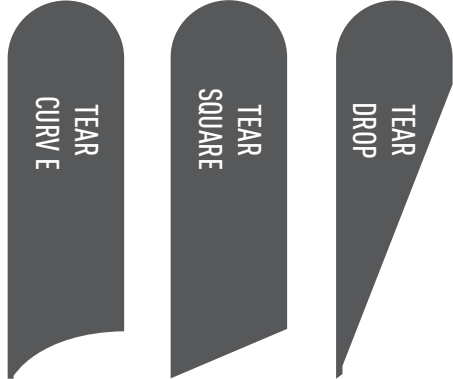
SIZE	GRAPHIC SIZE	POLE SIZE	SKU#
S	23.62" W X 102.36" H	3.5 M	F-F-S-0014
M	31.5" W X 133.86" H	4.5 M	F-F-M-0014
L	33.46" W X 177.16" H	5.6 M	F-F-L-0014

TEAR DROP FLAGS

POPULAR CHOICE FOR INDOOR/OUTDOOR EVENTS.
REINFORCED, YET LIGHTWEIGHT FIBERGLASS POLE.
PRINTED ON KNITTED POLYESTER FLAG.
CUSTOM PRINT SINGLE/DOUBLE SIDED.

[Click here to go back to Table of Contents](#)

AVAILABLE IN THE ABOVE SHAPES...



GROUND SPIKE BASE

SIZE: L 23.62", GALVANIZED WITH ZINC. PLATE FOR SOFT GROUND - GRASS, SAND, AND SNOW. WEIGHT 1.1KG.



CROSS BASE

SIZE: 33.85" X 9.45" X 8.66" POWDER COATING, GRAY. FOLDABLE. WEIGHT 1.5KG



CARRY BAG

SIZE: 1500MM X 240MM. COLOUR: BLACK
SUITABLE FOR POLE KITS, FLAGS, GROUND SPIKE, CROSS BASE AND CAR WHEEL BASE.



PLASTIC SPIKE BASE

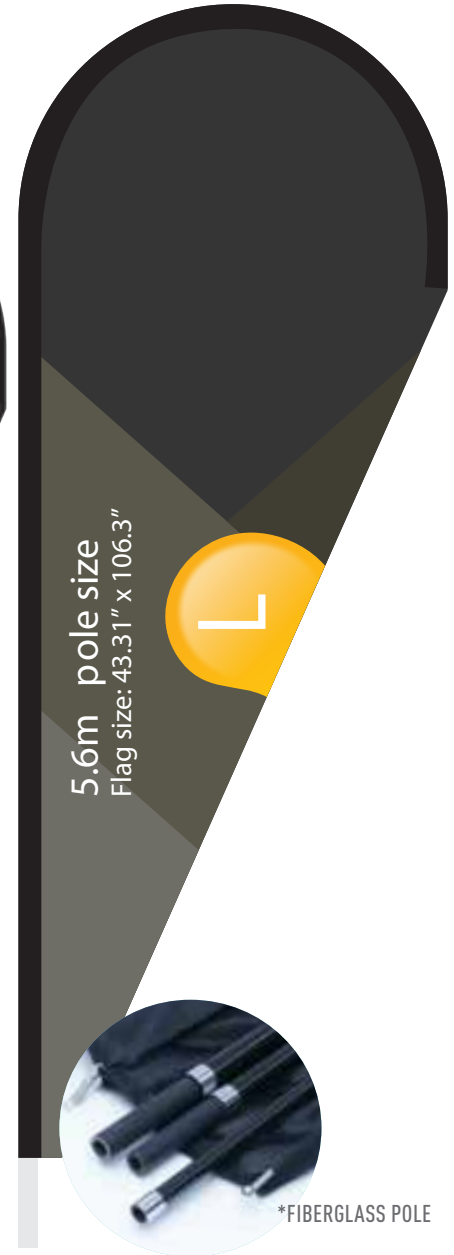
ABS AND STEEL THORN FOLDABLE HANDLES. SIZE: 21.65"X17"X9" WEIGHT 0.8 KG



3.5m pole size
Flag size: 29.53" x 66.93"



4.5m pole size
Flag size: 37.40" x 80.71"



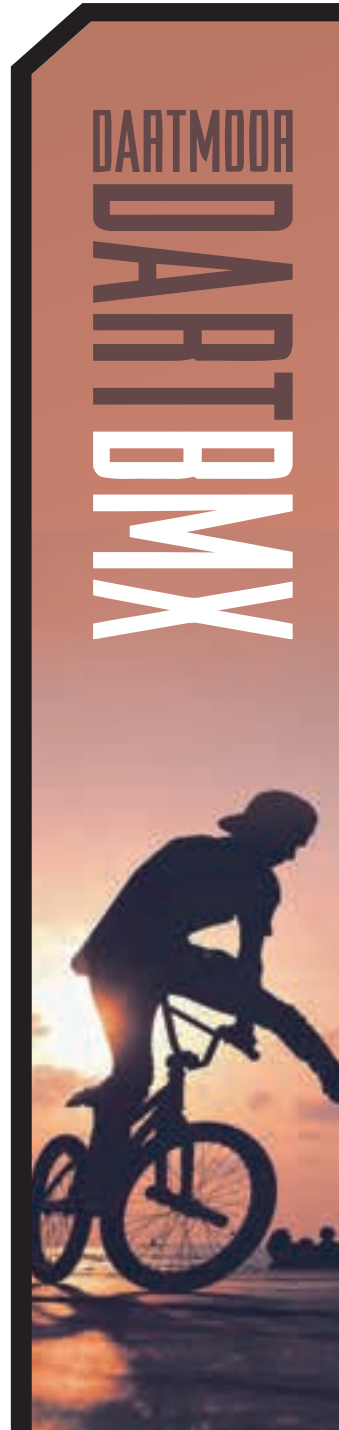
5.6m pole size
Flag size: 43.31" x 106.3"

*FIBERGLASS POLE

SIZE	GRAPHIC SIZE	POLE SIZE	SKU#
S	29.53" W X 66.93" H	3.5 M	F-TD-S-0015
M	37.43" W X 80.71" H	4.5 M	F-TD-S-0015
L	43.31" W X 106.3" H	5.6 M	F-TD-S-0015

RECTANGLE FLAGS

REINFORCED, YET LIGHTWEIGHT ALUMINUM POLE.
 PRINTED ON KNITTED POLYESTER FLAG.
 IDEAL CHOICE FOR INDOOR/OUTDOOR EVENTS.
 THIS ALUMINUM STAND CAN BE SHAPED ON 2 SIZES
 AND 4 DIFFERENT SHAPES.
 CUSTOM PRINT SINGLE/DOUBLE SIDED.



AVAILABLE IN THE ABOVE SHAPES...



CROSS BASE
 SIZE: 24.41" X 4.72" X 8.27"
 ELECTROPLATE FINISH WITH CHROME
 FOLDABLE.
 WEIGHT 3.1KG.



CARRY BAG
 SIZE: 1500MM X 240MM.
 COLOUR: BLACK
 SUITABLE FOR POLE KITS, FLAGS, GROUND SPIKE,
 CROSS BASE AND CAR WHEEL BASE.

SIZE	GRAPHIC SIZE	POLE SIZE	SKU#
S	31.5" W X 125.98" H	3.5 M	F-RF-S-0016
M	31.5" W X 157.48" H	4.5 M	F-RF-L-0016

EVENT FLAGS

THIS IS A FANTASTIC WAY TO ADVERTISE EVENTS AND PROMOTIONS, QUICK AND EASY TO USE . CUSTOM PRINT SINGLE/DOUBLE SIDED.

[Click here to go back to Table of Contents](#)



BACKPACK FLAGS



DANCING FLAGS

THE DANCING FLAG IS A NEW DESIGN OF THE GIANT POLE. IT'S IDEAL FOR INDOOR OR OUTDOOR EVENTS, CONFERENCE, SPORT EVENTS, ETC. THE TELESCOPIC ALUMINUM FLAGPOLE FITS INTO A PLASTIC BASE THAT CAN BE FILLED WITH WATER FOR STABILITY. THE FLAG IS HELD WITH RINGS. THE DANCING FLAG ARE EASY TO HANDLE AND INSTALL. CUSTOM PRINT SINGLE/DOUBLE SIDED.

SIZE	GRAPHIC SIZE	POLE SIZE	SKU#
S	47.25" W X 137.8" H	5 M	F-WD-S-0017
L	47.25" W X 196.85" H	7 M	F-WD-L-0017

STREET LAMP POLE BANNER

POLE BANNERS DELIVER HIGH IMPACT EYE-CATCHING ADVERTISEMENTS AND PROMOTIONS. USE POLE BANNER TO ANNOUNCE UPCOMING EVENTS, PROMOTIONS, SALES EVENTS OR COMMUNITY EVENTS. CUSTOM PRINT SINGLE/DOUBLE SIDED.

[Click here to go back to Table of Contents](#)

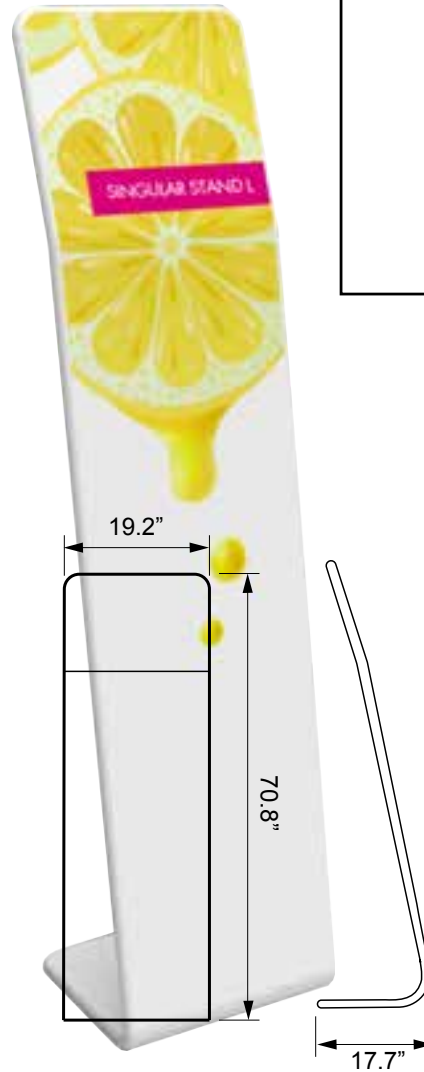
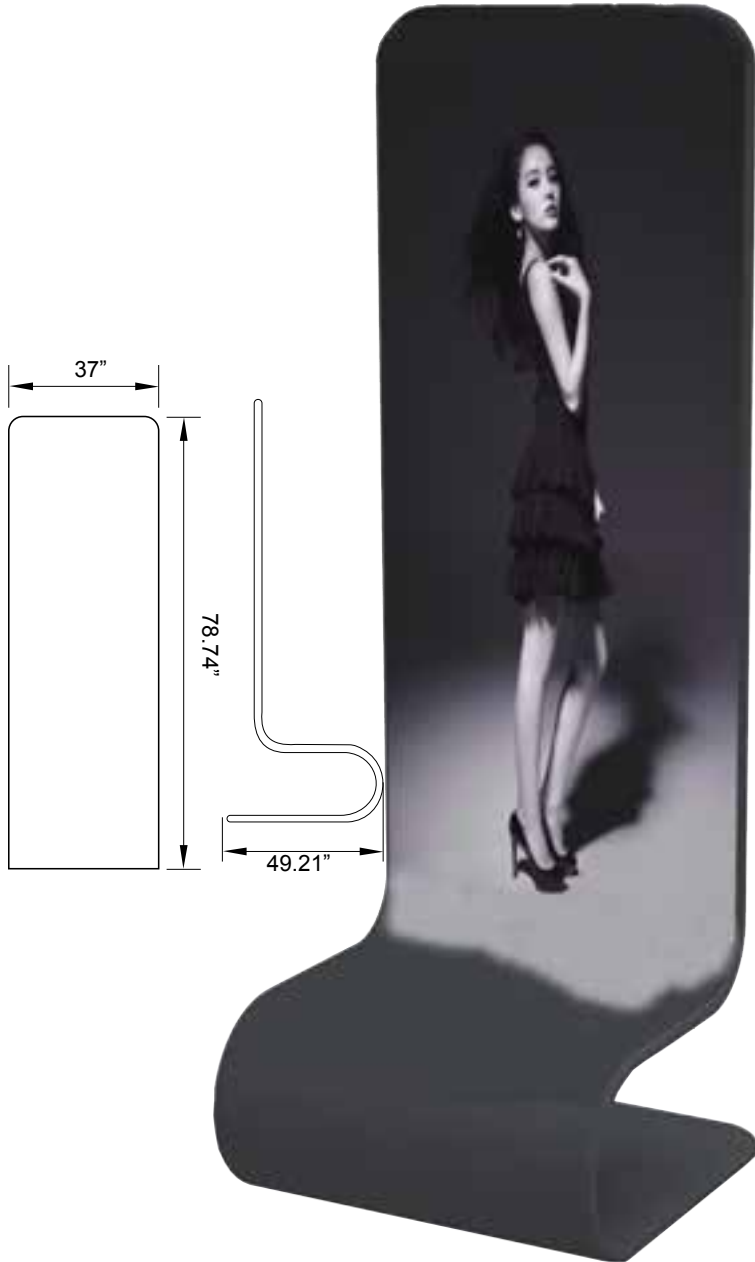


SIZE	BASE SIZE	SKU#
CUSTOM	23.62" W X H UP TO 63"	SL-P-0018

FABRIC TUBE SINGULAR STANDS

THIS LIGHTWEIGHT PORTABLE FABRIC TUBE SINGULAR STAND IS IDEAL CHOICE FOR INDOOR EVENTS, ADVERTISING AND PROMOTIONS. VERY ELEGANT, MADE FROM AN ALUMINUM PIPE FRAME SURROUNDED BY VIBRANT STRETCH FABRIC COVER.

[Click here to go back to Table of Contents](#)

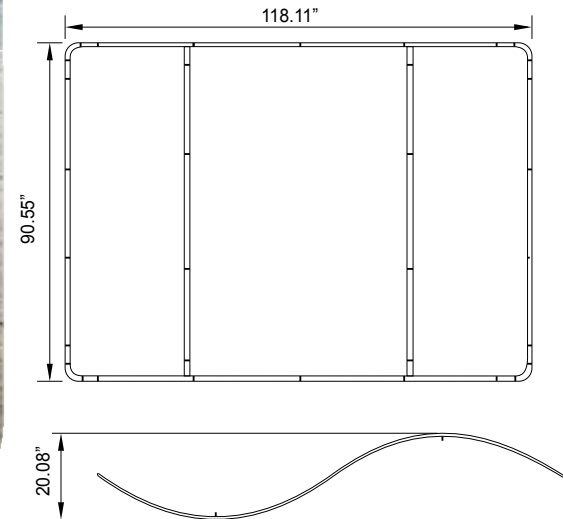
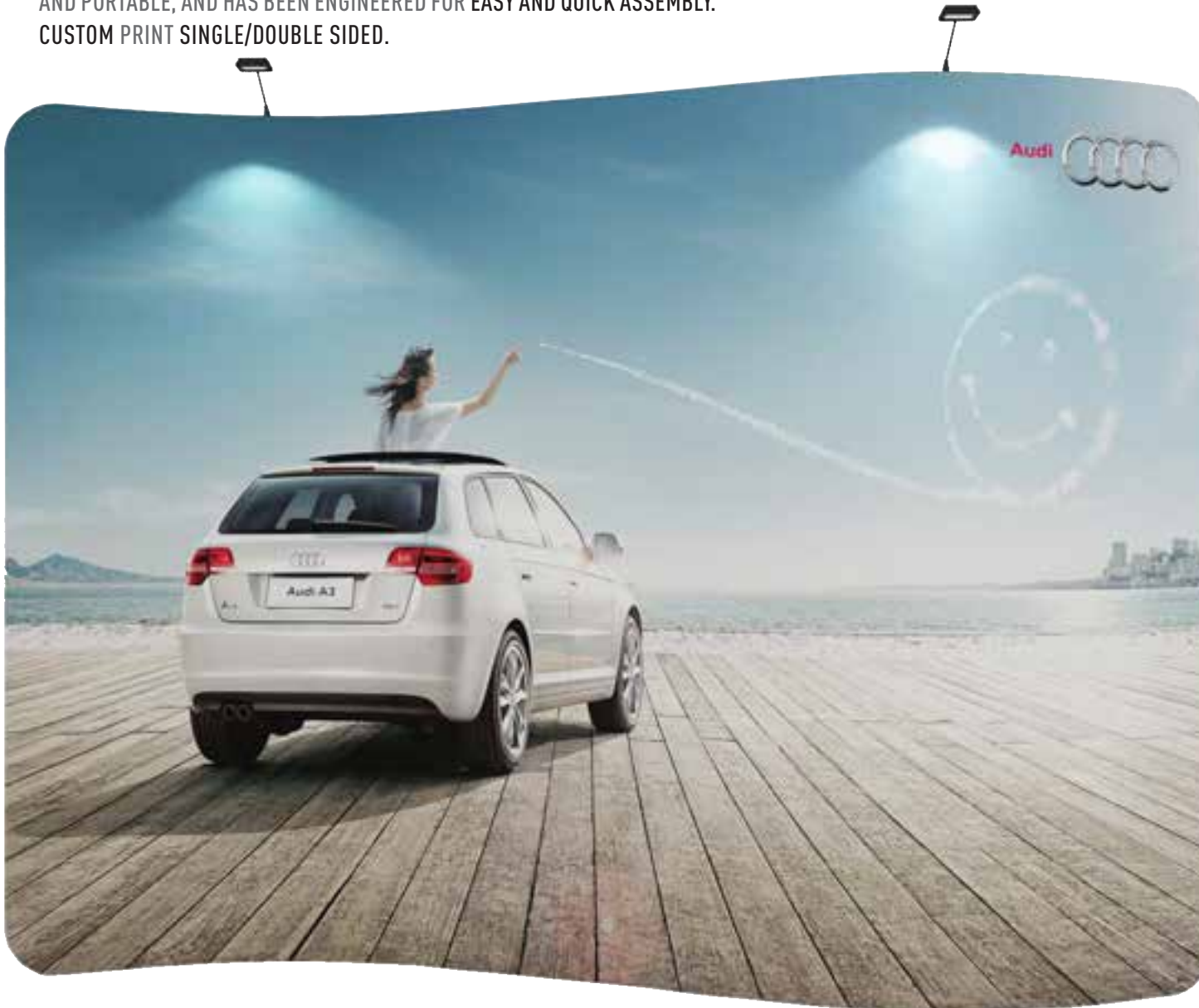


SIZE	BASE SIZE	SKU#
SNAKE	37" W X 78.74" H	FT-SS-SNAKE-0019
COBRA	37" W X 78.74" H	FT-SS-COBRA-0019
STAND L	19.2" W X 70.8" H	FT-SS-SL-0019

S-SHAPED FREESTANDING DISPLAY

THIS S-SHAPED FREESTANDING DISPLAY IS IDEAL FOR CREATING LARGE GRAPHIC BACKDROPS, EXHIBITION STANDS, MEDIA BOARD, ETC. LIGHTWEIGHT AND PORTABLE, AND HAS BEEN ENGINEERED FOR EASY AND QUICK ASSEMBLY. CUSTOM PRINT SINGLE/DOUBLE SIDED.

[Click here to go back to Table of Contents](#)



GRAPHIC SIZE:
118.11"W X 90.55"H

DIMENSIONS:
33.9"X4.72"X13"

NET WEIGHT:
5.50 KG

SKU#
D-SF-S-0020

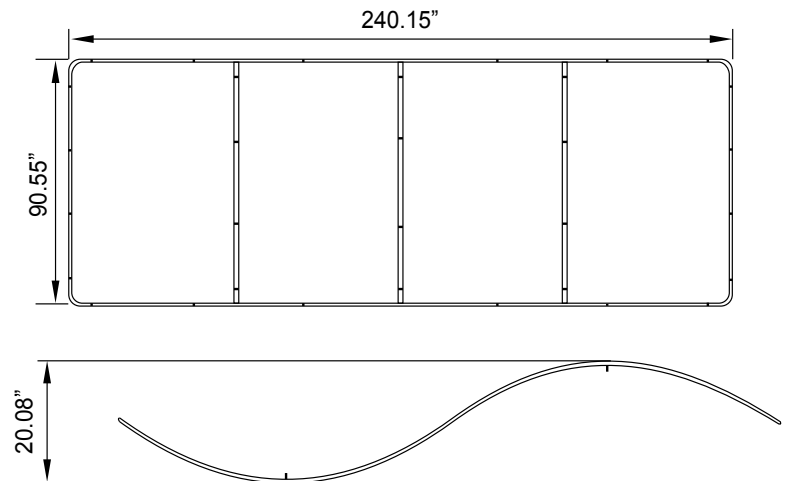
S-SHAPED FREESTANDING DISPLAY

[Click here to go back to Table of Contents](#)

THIS S-SHAPED FREESTANDING DISPLAY IS IDEAL FOR CREATING LARGE GRAPHIC BACKDROPS, EXHIBITION STANDS, MEDIA BOARDS, ETC. LIGHTWEIGHT AND PORTABLE, AND HAS BEEN ENGINEERED FOR EASY AND QUICK ASSEMBLY. CUSTOM PRINT SINGLE/DOUBLE SIDED.



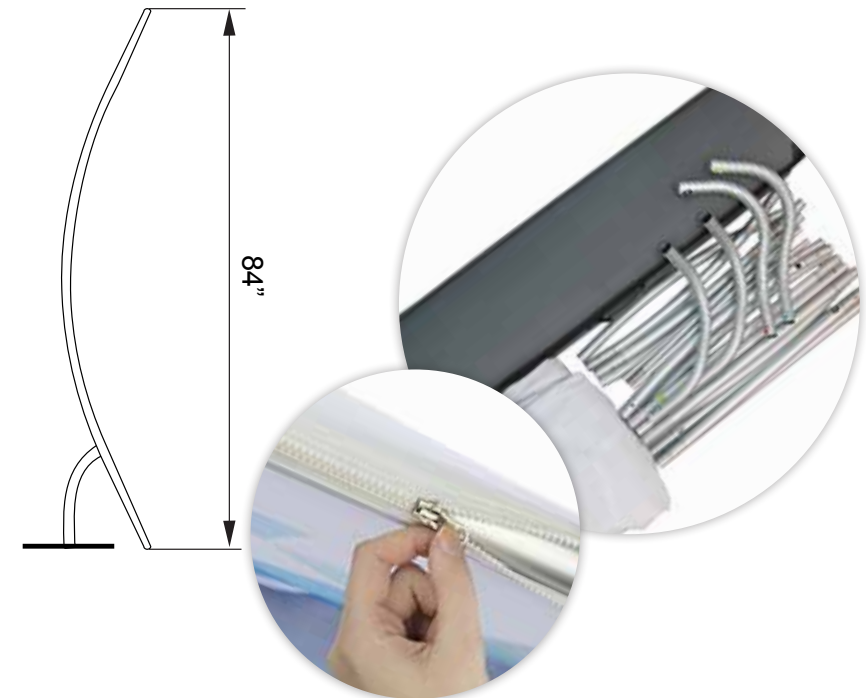
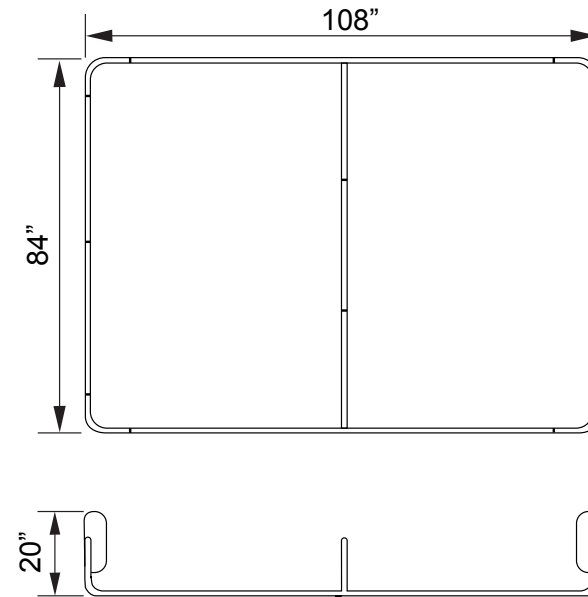
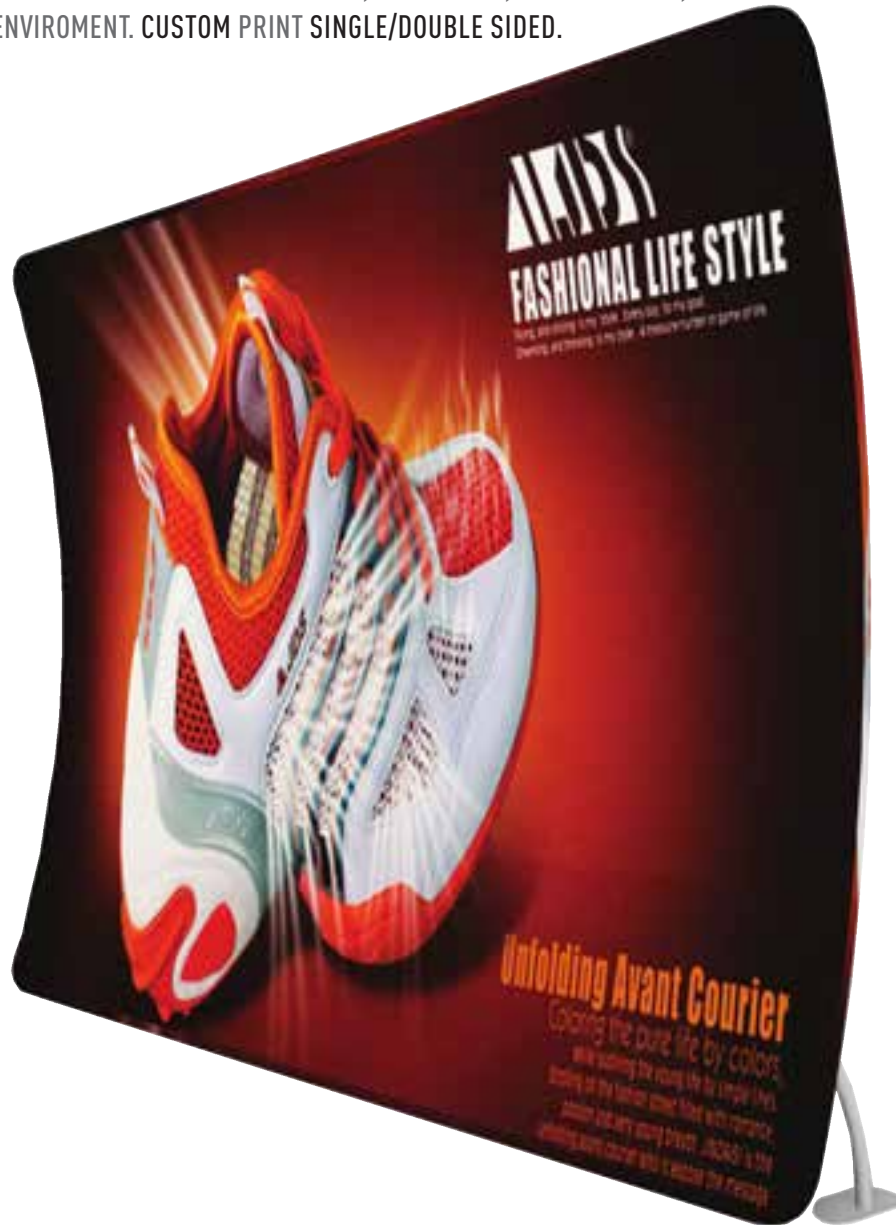
GRAPHIC SIZE: 240.15"W X 90.55"H
DIMENSIONS: 47.2"X9.84"X11.02"
NET WEIGHT: 8.30 KG
SKU# D-SF-L-0021



U-SHAPED DISPLAY

UNIQUE IN ITS' SHAPE FABRIC DISPLAY IS BOLD AND GOOD-LOOKING!
IT'S CONCAVE CURVE GIVES IT A SLEEK, SIMPLE AND ATTRACTIVE LOOK.
IDEAL FOR CREATING A GREAT BACKDROP, EXHIBITION, MEDIA BOARD,
MEETING ENVIROMENT. CUSTOM PRINT SINGLE/DOUBLE SIDED.

[Click here to go back to Table of Contents](#)

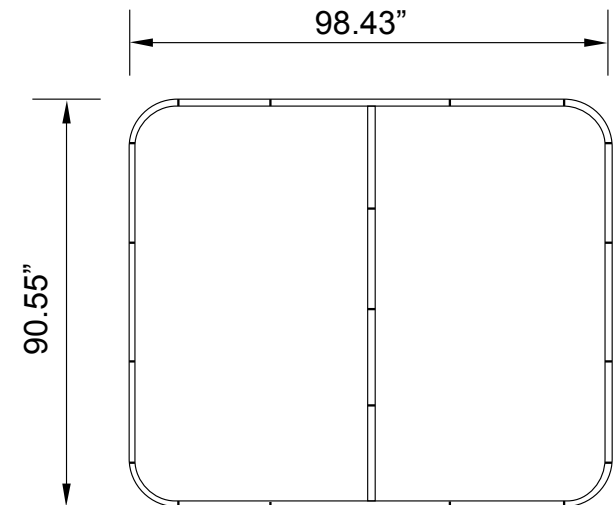


GRAPHIC SIZE:	DIMENSIONS:	NET WEIGHT:	SKU#
108"W X 84"H	45.27"X7.87"X16.93"	22.00 KG	D-UF-S-0022

CURVED FREESTANDING DISPLAY

FREESTANDING CURVED FABRIC TENSION DISPLAY IDEAL FOR MODERN EXHIBITING OR MEETING BACKDROP. STRETCH FABRIC MATERIAL WITH CUSTOM PRINTS ON ONE OR BOTH SIDES.

[Click here to go back to Table of Contents](#)

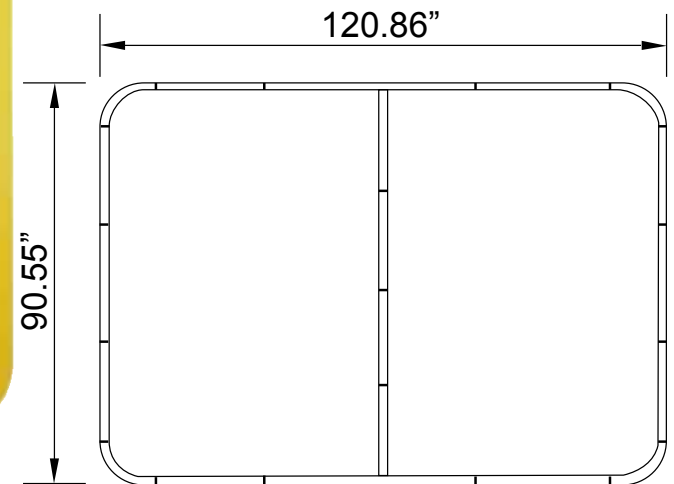


GRAPHIC SIZE: 98.43"W X 90.55"H	DIMENSIONS: 29.13"X0.63"X9.45"	NET WEIGHT: 3.50 KG	SKU# D-CF-S-0023
---	--	-------------------------------	----------------------------

CURVED FREESTANDING DISPLAY

VISUALLY STUNNING, VIBRANT GRAPHICS WILL BE SURE TO GRAB YOUR AUDIENCE'S ATTENTION WHETHER THEY ARE COMING OR GOING AT YOUR TRADE SHOW OR COMPANY EVENT. STRETCH FABRIC MATERIAL WITH CUSTOM PRINTS ON ONE OR BOTH SIDES.

[Click here to go back to Table of Contents](#)

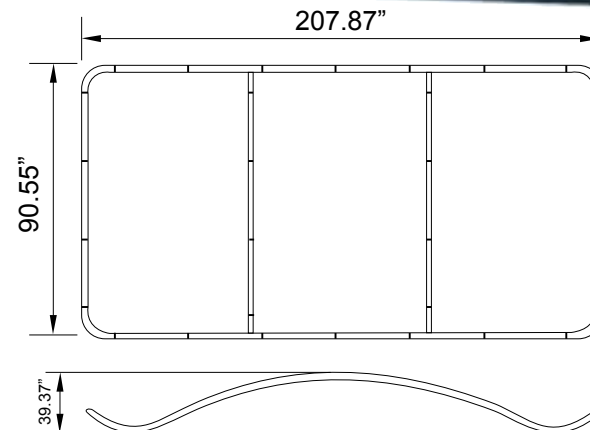


GRAPHIC SIZE: 120.86"W X 90.55"H	DIMENSIONS: 29.13"X0.63"X11.42"	NET WEIGHT: 4.00 KG	SKU# D-CF-M-0024
--	---	-------------------------------	----------------------------

CURVED FREESTANDING DISPLAY

[Click here to go back to Table of Contents](#)

DOUBLE SIDED GRAPHIC VISIBILITY OFFERS THE VERSATILITY OF MAXIMUM DISPLAY AREA TO SHOWCASE YOUR COMPANY INFORMATION AND MESSAGE WITHOUT BOMBARDING THE VIEWER'S EYE WITH CRAMPED TEXT ON A SMALL DISPLAY AREA. STRETCH FABRIC MATERIAL WITH CUSTOM PRINTS ON ONE OR BOTH SIDES.

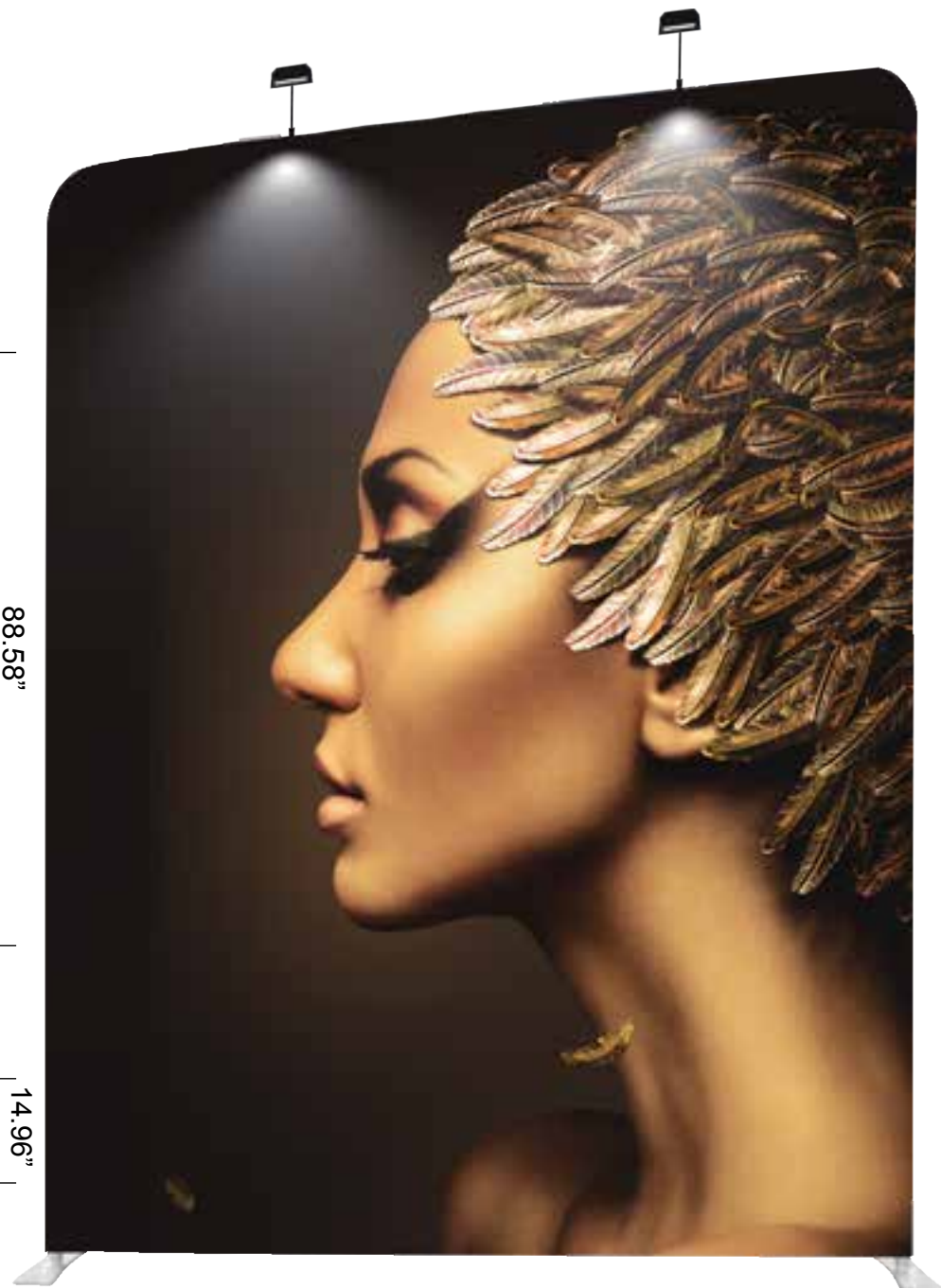
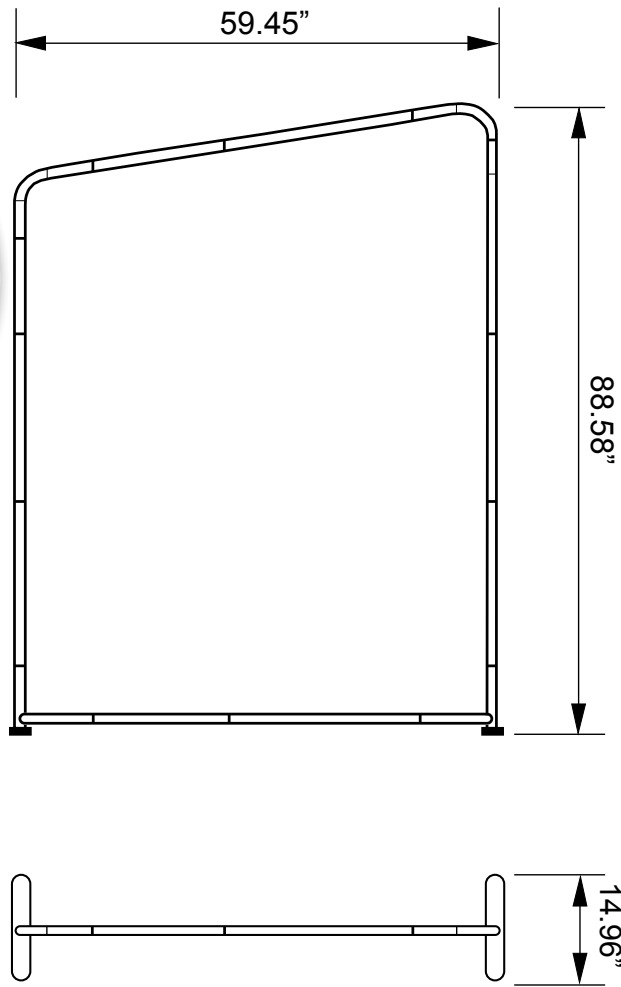


GRAPHIC SIZE: 207.87"W X 90.55"H	DIMENSIONS: 36.6"X0.63"X12.6"	NET WEIGHT: 7.00 KG	SKU# D-CF-L-0025
--	---	-------------------------------	----------------------------

STRAIGHT GRAPHIC DISPLAY

STRAIGHT FABRIC TENSION DISPLAY WITH SUPPORT FEET. IDEAL FOR CREATING LARGE GRAPHIC BACKDROPS FOR EXHIBITION STANDS, RETAIL DISPLAYS, MEDIA BOARDS AND BRANDING ENVIRONMENTS. STRETCH FABRIC MATERIAL WITH CUSTOM PRINTS ON ONE OR BOTH SIDES.

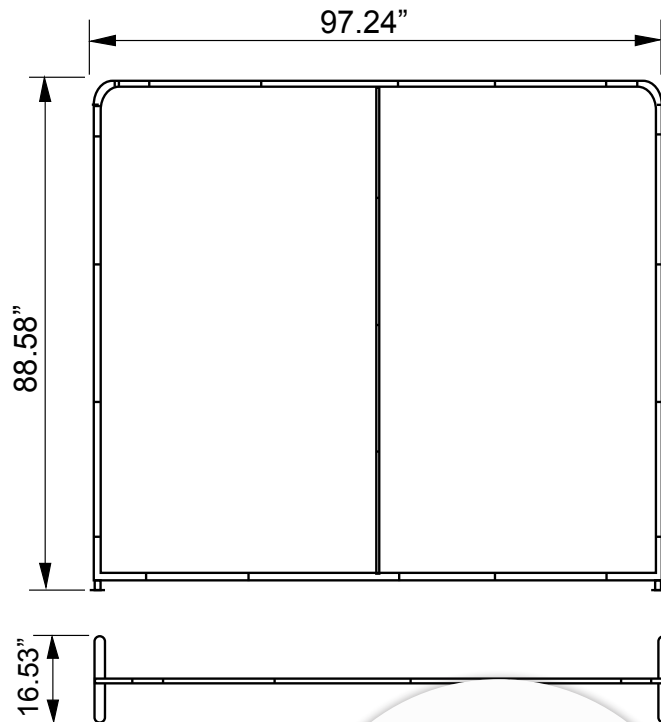
[Click here to go back to Table of Contents](#)



GRAPHIC SIZE:	DIMENSIONS:	NET WEIGHT:	SKU#
59.45"W X 88.58"H	28.74"X4.33"X11.42"	2.60 KG	D-STF-S-0026

STRAIGHT GRAPHIC DISPLAY

THE EASY TO ASSEMBLE AND TRANSPORT DISPLAY FRAMEWORK IS COUPLED WITH A ZIPPERED STRETCH FABRIC BANNER SLEEVE THAT CONVENIENTLY SLIDES OVER THE HARDWARE. IDEAL FOR CREATING LARGE GRAPHIC BACKDROPS FOR EXHIBITION STANDS, RETAIL DISPLAYS, MEDIA BOARDS AND BRANDING ENVIRONMENTS. STRETCH FABRIC MATERIAL WITH CUSTOM PRINTS ON ONE OR BOTH SIDES.



GRAPHIC SIZE:
97.24"W X 88.58"H

DIMENSIONS:
28.74"X5.5"X11.42"

NET WEIGHT:
3.00 KG

SKU#
D-STF-M-0027

STRAIGHT GRAPHIC DISPLAY

[Click here to go back to Table of Contents](#)

THE EASY TO ASSEMBLE AND TRANSPORT DISPLAY FRAMEWORK IS COUPLED WITH A ZIPPERED STRETCH FABRIC BANNER SLEEVE THAT CONVENIENTLY SLIDES OVER THE HARDWARE. IDEAL FOR CREATING LARGE GRAPHIC BACKDROPS FOR EXHIBITION STANDS, RETAIL DISPLAYS, AND MEDIA BOARDS AND BRANDING ENVIRONMENTS. STRETCH FABRIC MATERIAL WITH CUSTOM PRINTS ON ONE OR BOTH SIDES.

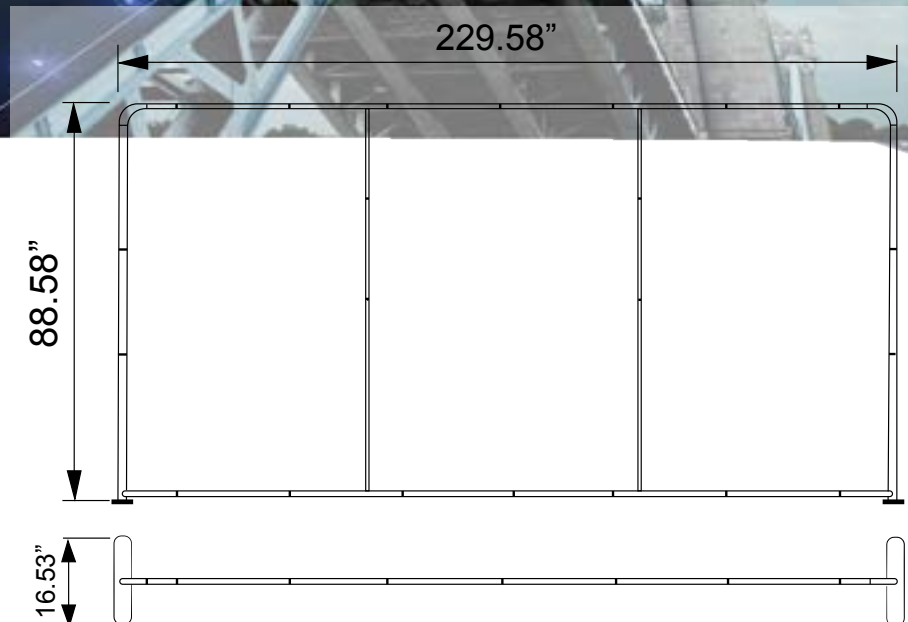
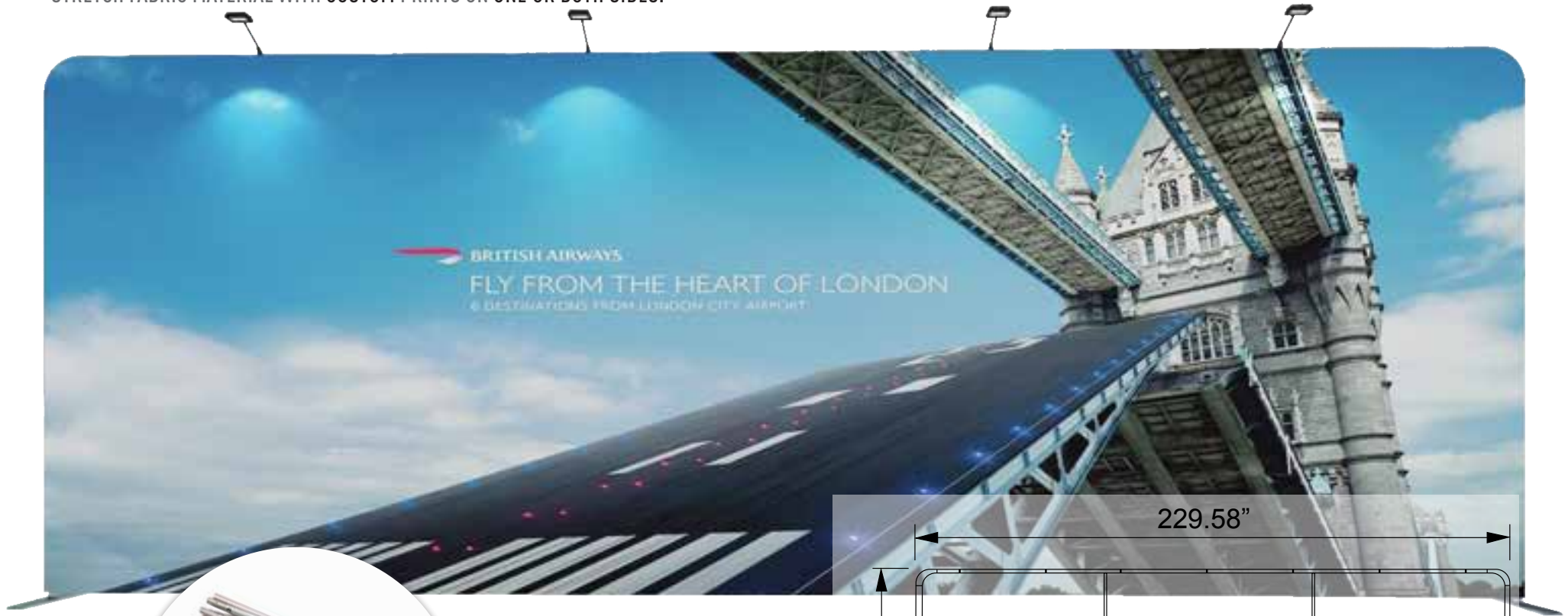


GRAPHIC SIZE:	DIMENSIONS:	NET WEIGHT:	SKU#
116.14"W X 88.58"H	28.74"X5.5"X11.42"	5.00 KG	D-STF-L-0028

STRAIGHT GRAPHIC DISPLAY

[Click here to go back to Table of Contents](#)

DOUBLE SIDED GRAPHIC VISIBILITY OFFERS THE VERSATILITY OF MAXIMUM DISPLAY AREA TO SHOWCASE YOUR COMPANY INFORMATION AND MESSAGE WITHOUT BOMBARDING THE VIEWER'S EYE WITH CRAMPED TEXT ON A SMALL DISPLAY AREA. STRETCH FABRIC MATERIAL WITH CUSTOM PRINTS ON ONE OR BOTH SIDES.

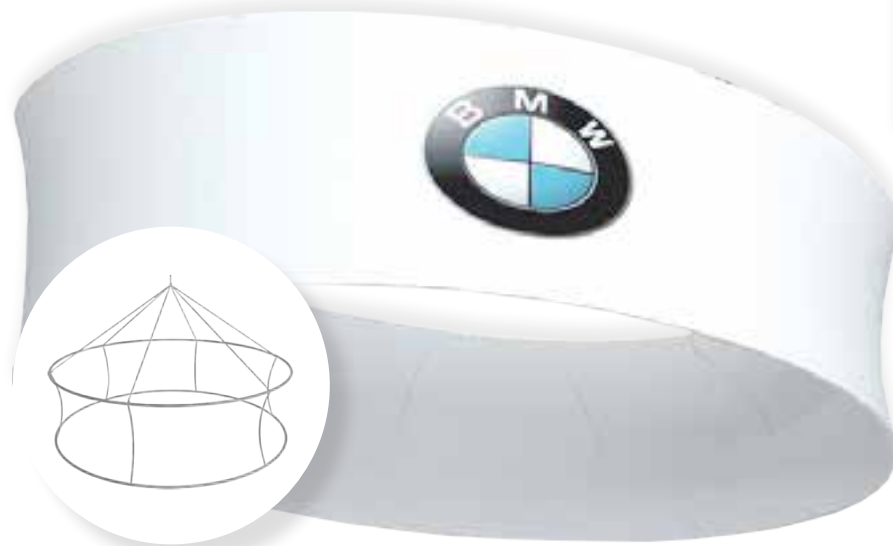
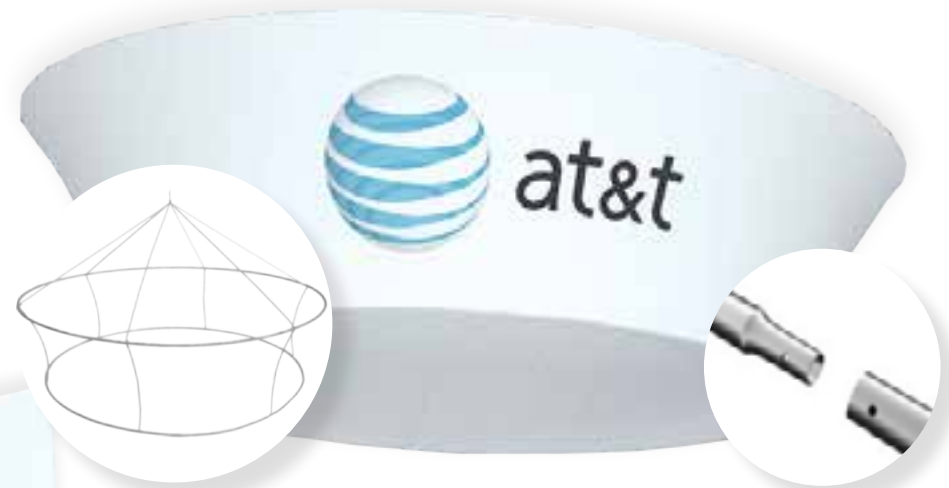


GRAPHIC SIZE: 229.58"W X 88.58"H	DIMENSIONS: 41.7"X5.5"X11.8"	NET WEIGHT: 12.00 KG	SKU# D-STF-XL-0029
--	--	--------------------------------	------------------------------

HANGING GRAPHIC DISPLAYS

[Click here to go back to Table of Contents](#)

THIS HANGING DISPLAYS OFFER A HUGE IMPACT AND ATTRACT ATTENTION IN ANY TRADE SHOWS AND EXHIBITIONS. IT COMES IN 4 DIFFERENT SHAPES. EASY TO ASSEMBLE AND DISASSEMBLE IN A CARRY BAG.



SIZE	GRAPHIC SIZE	SKU#
PINWHEEL	CL 120" X 36" H	HS-PW-0030
TAPERED CIRCLE	TD 182" X BD 144" X 48" H	HS-TC-0030
SQUARE	L 96" X 42" H	HS-SQ-0030
CIRCLE	D 60" X 30" H	HS-C-0030

POP UP BANNER SYSTEM

[Click here to go back to Table of Contents](#)



SIMPLE YET ELEGANT LOOKING.
AVAILABLE WITH GRAPHICS PRINTED IN ONE PIECE.
SUPER LIGHTWEIGHT (EASY TO CARRY).
INSTALLS IN LESS THAN ONE MINUTE.
FABRIC FITS SMOOTHLY ACROSS THE FRAME WORK AND STAYS IN PLACE ONCE THE FRAME HAS BEEN COLLAPSED.

SIZE
S

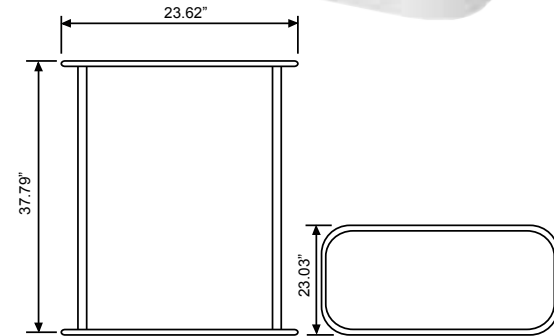
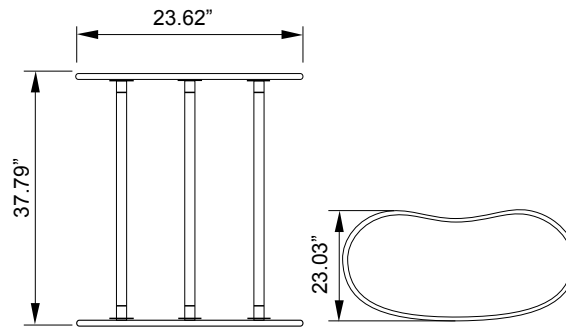
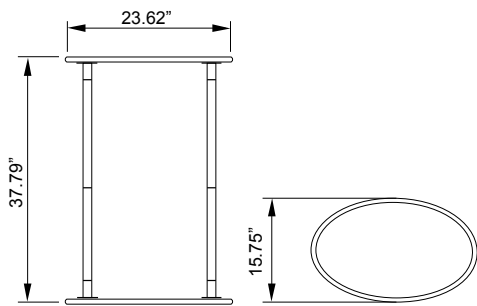
GRAPHIC SIZE
89" W X 89" H

SKU#
PU-BS-S-0031

FABRIC TUBE COUNTER

TENSION FABRIC COUNTER SYSTEM DISMANTLES TO COMPACT SIZE WITH CARRY BAG FOR EASY TRANSPORTATION. IDEAL FOR TRADESHOWS, EXHIBITIONS, ADVERTISING, ETC.

[Click here to go back to Table of Contents](#)



SUPPORT POLES



BOTTOM



TOP

FORM	GRAPHIC SIZE	SKU#
OVAL	23.62" W X 37.79" H	F-TC-O-0032
CURVED	23.62" W X 37.79" H	F-TC-C-0032
RECTANGLE	23.62" W X 37.79" H	F-TC-R-0032

CANOPY

STAND OUT FROM THE CROWD WITH AN EYE CATCHING CUSTOMISED POP UP GAZEBO OR EVENT TENT BY CREATING AN UNRIVALLED ADVERTISING MEDIUM WHETHER YOU ARE GENERALLY PROMOTING YOUR BUSINESS OR JUST PERSONALISING YOUR PRODUCT.

WE CAN PRINT A DESIGN OF YOUR CHOICE WHETHER ITS JUST YOUR BUSINESS NAME ON THE VALANCE OR AN DESIGN COMPLETELY COVERING THE ROOF AND SIDES OF YOUR POP UP GAZEBO, WHATEVER YOU DECIDE WILL CREATE AN UNMATCHED VISUAL IMPACT WHEREVER YOU MAY BE.

[Click here to go back to Table of Contents](#)



SIZE	COVER SIZE	SKU#
S	10' W X 10' H	C-10-10-0033
L	10' W X 15' H	C-10-15-0033

PRINTED TABLECLOTH

[Click here to go back to Table of Contents](#)

39

PRINTED TABLECLOTH WILL GIVE YOUR TRADE SHOW BOOTH A POLISHED LOOK. THIS CUSTOM PRINTED TABLECLOTH IS SURE TO GET NOTICED. THE DESIGN MAKING IT BOTH PRACTICAL AND STYLISH. THERE IS NO LIMIT TO WHAT YOU CAN CREATE.

